



Freedom ADA Transfer Shower Pan 38 5/8" x 38 7/8"



Model APF3838BFPAN

38 5/8" x 38 7/8" x 4"
36" x 36" Inside Dimension

Durable, luxurious and
easy to clean gelcoat

One Piece Shower Pan

Accessories available:
Grab bars, padded folding
shower seat, collapsible
water retainer, weighted
shower curtain and rod,
slide bar with handheld
shower, pressure balance
valve, caulkless drain

1/2" barrier free threshold
with pre-leveled and
reinforced shower base
for easy installation

Textured Floor

30 Year Manufacturer's Limited Warranty

FREEDOM SHOWERS

MODEL: APF3838BFPAN Freedom ADA Shower Pan

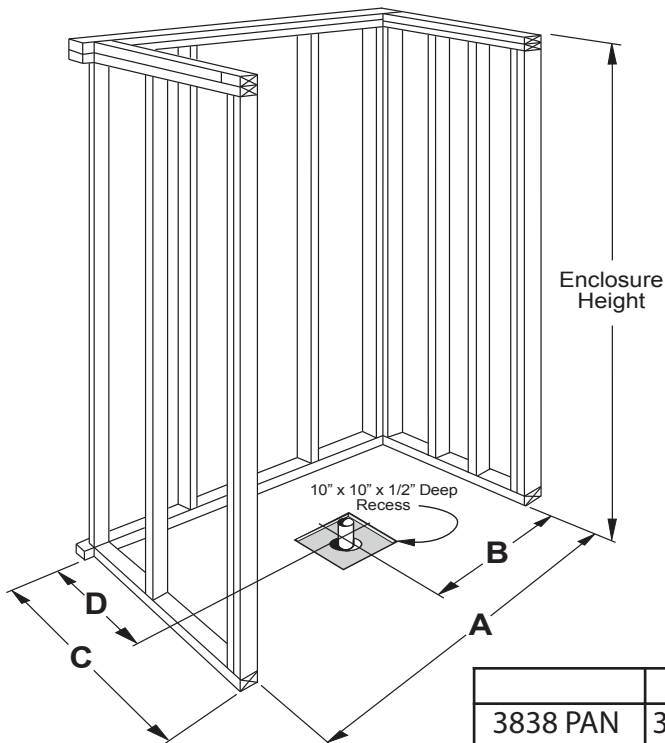
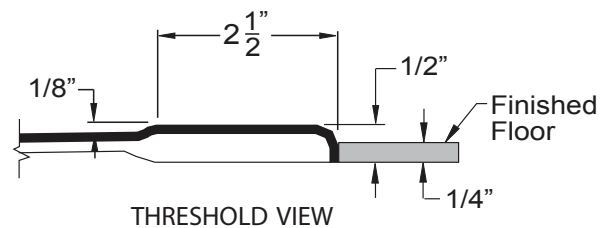
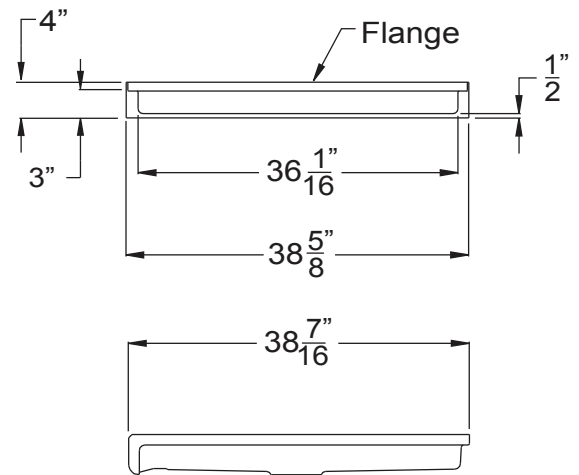
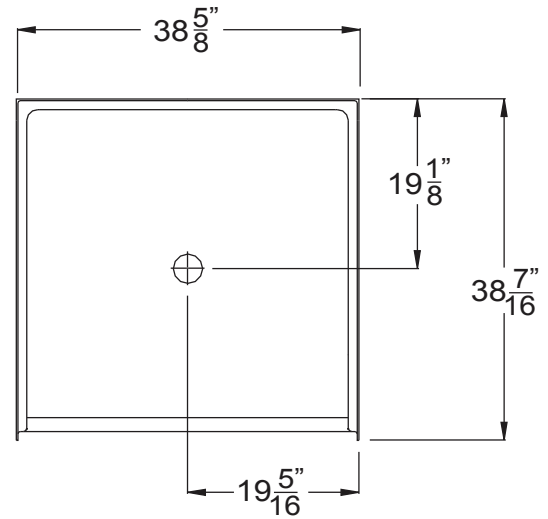
Submittal Data

Product Features

- 38.625" x 38.875" x 4"
- 1/2" barrier free threshold.
- Self-supporting and pre-leveled shower base eliminates mud setting.
- Easy to clean gelcoat finish
- Textured slip-resistant floor
- Center drain location

Code Compliance

- ADA
- ANSI
- MAS
- TAS



	A	B	C	D
3838 PAN	37 7/8"	19 7/16"	38 5/8"	19 1/4"